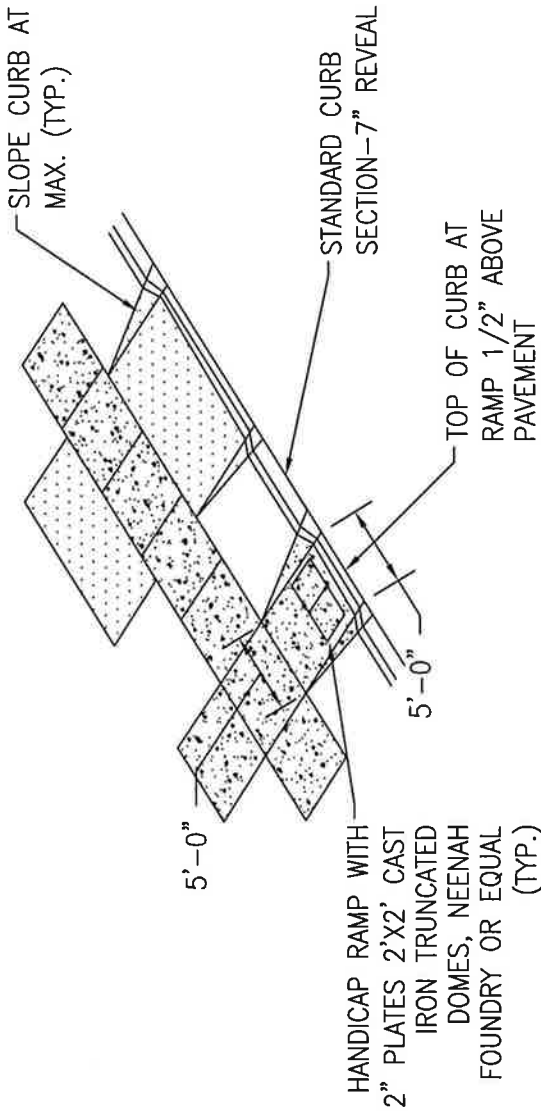
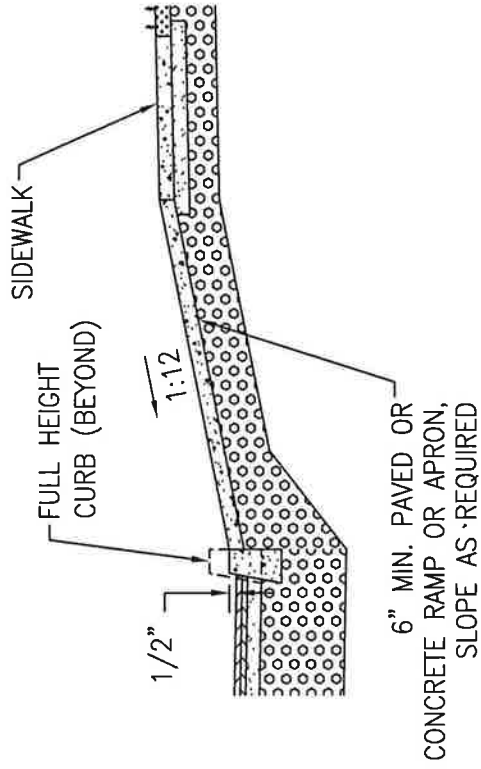


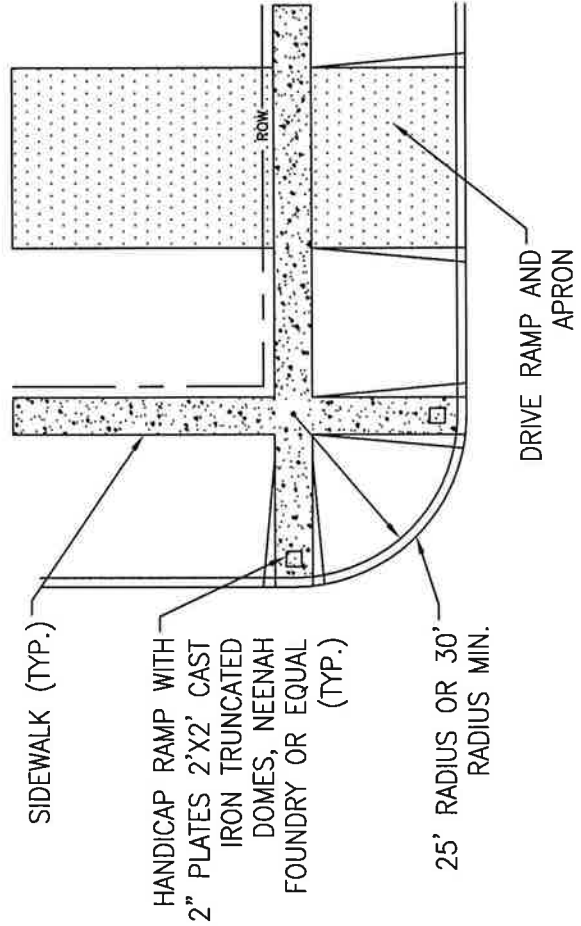
SLOPE CURB AT 45° MAX. (TYP.)



SIDEWALK & RAMP - ISOMETRIC VIEW



SIDEWALK & RAMP - SECTION



SIDEWALK & RAMP - PLAN VIEW



TOWN OF MILTON

PUBLIC WORKS DEPARTMENT

SCALE: NTS

DATE: FEB. 2008

DRAWING # 13

DRAWN BY: FA&A

TYPICAL SIDEWALK RAMPING DETAILS